

Erratum

In the February 2001 issue of the *Journal*, in the report “A Second Gene for Otosclerosis, *OTSC2*, Maps to Chromosome 7q34-36,” by Van Den Bogaert et al. (68: 495–500), there is an error in figure 1. The affected female, not the unaffected husband, in generation II is

genetically related to the rest of the family. This correction does not affect any of the analysis in the report. The correct version of figure 1 is presented on the following page. The authors regret this error.

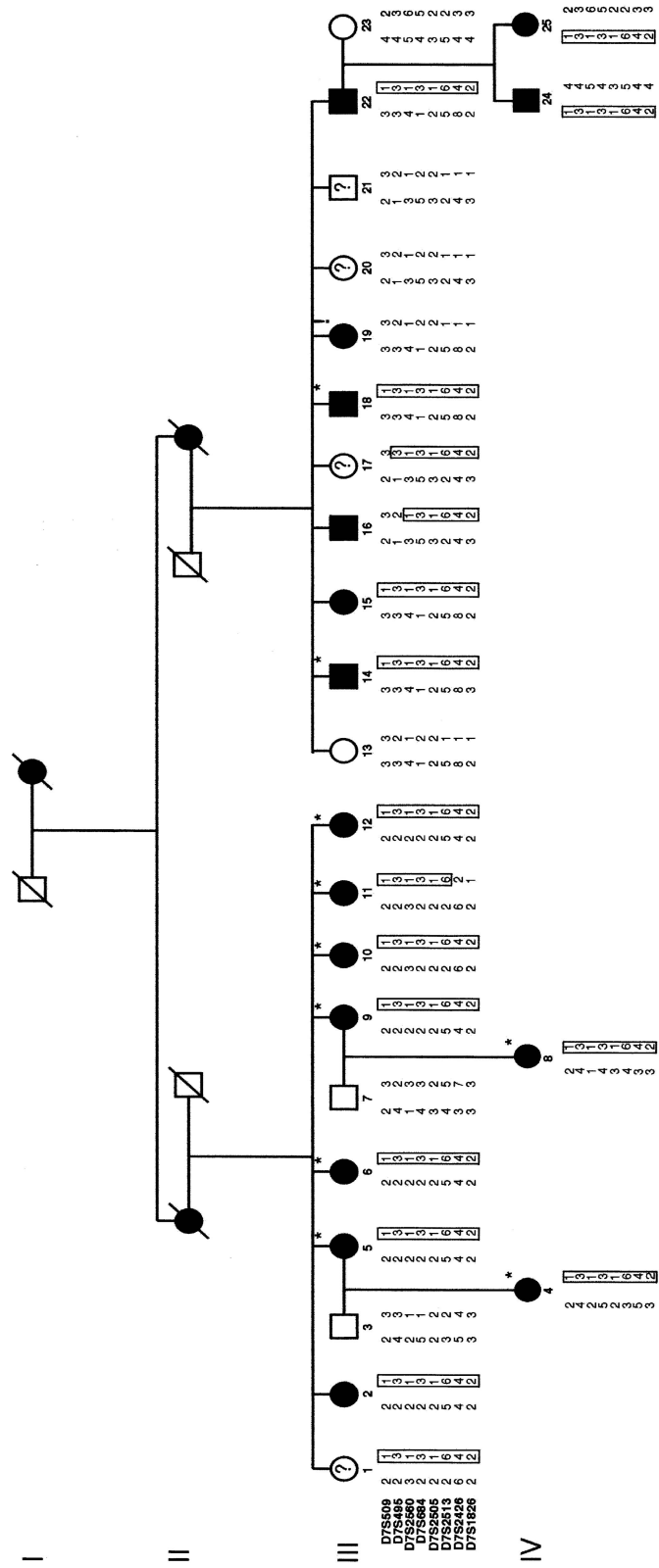


Figure 1 (revised)